

BRF 90°/15°

Product data

R/F Table



R/F tilting table with an advanced Spot Film Device, provided with Touch Screen controls and “Straingage” movements.

Easy to incorporate any Digital Imaging System, with up to 12” I.I. tube.



BMI

BRF 90°/15°

Product data R/F Table



R/F Table tilting from vertical to 15° Trendelenburg, with 4-way moving table-top, advanced Spot Film Device, motordriven compression cone, collimator automatically adjustable to the required SID and additional table-side control panel on the frontal table cover.

Extremely compact modern electronics with an easy access, for high reliability, quick reparings or maintenance checks.

Compact 90°/15° Tilting Table, complete with the most up-to-date electronics, to perform a wide range of radiographic and fluoroscopic diagnostic examinations in all hospitals and private clinics.

Microprocessor controlled unit, designed to enable easy and rapid positioning and centering of the patient, with precise and accurate movements.



Advanced automatic Spot Film Device provided with **Touch Screen** controls, "**Straingage**" movements and front loading auto-centering cassette tray. Possibility to use standard cassettes with sizes from 18x24 cm. to 35x35 cm., with 2-3-4-6 subdivisions.

Display on the Touch Screen of the cassette size, the selected subdivision and the number of the available exposures.

Complete with specialized operative techniques, like "Fast Bolus Chasing" and rapid exposures sequence up to 2 images/sec.



Complete Spot Film Device park-back, allowing easy access of the patient to the table and the performing of all routine radiographic examinations with the under table-top Potter Bucky together with the optionally available column stand or ceiling suspension, supporting the X-ray tube and collimator.

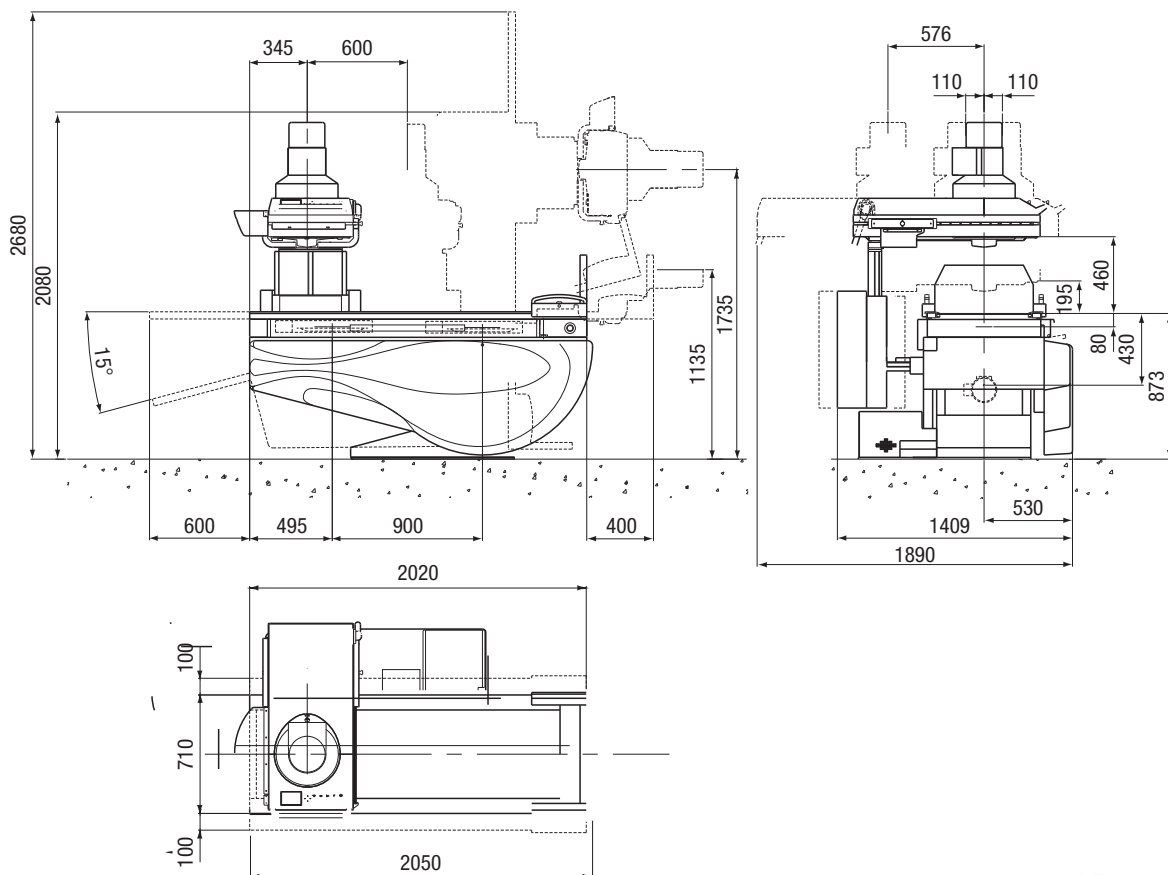
Preset to incorporate any **Digital Imaging Systems**, with up to **12"** I.I. tubes, a vibrating grid and an AEC detection chamber.

**SPOT FILM DEVICE
SUBDIVISION**

24x18				
18x24				
24x24				
30x24				
24x30				
30x30				
35x35				

TECHNICAL DATA

TABLE	<ul style="list-style-type: none"> • Tilt, degrees • Size • Weight 	<p>From +90° to -15° Trendelemburg</p> <p>LxWxH (cm) 205 x 141 x 157</p> <p>Kg 990 with 12" I.I. System</p>
TABLE TOP	<ul style="list-style-type: none"> • Dimensions • Longitudinal travel • Transversal travel • Height in horizontal • Max patient weight • Foot-rest 	<p>cm 202 x 71</p> <p>cm 100 (+60 - 40)</p> <p>cm 20 (+10 - 10)</p> <p>cm 87</p> <p>Kg 150</p> <p>Adjustable and removable with locking every 10 cm</p>
SPOT FILM DEVICE	<ul style="list-style-type: none"> • Display • Longitudinal travel • Transversal travel • Compression travel • Cassette loading • SFD parking position • I.I. size 	<p>Touch screen</p> <p>cm 60, by "Straingage" device</p> <p>cm 60</p> <p>cm 27</p> <p>Automatic, front side</p> <p>Yes</p> <p>max 12"</p>
UNDER TABLE POTTER BUCKY (Optional)	<ul style="list-style-type: none"> • Longitudinal travel 	<p>cm 90</p>
ELECTRICAL POWER	<ul style="list-style-type: none"> • Power • Line 	<p>KW 2.5</p> <p>Three phase 380 V,G+E, +/- 10%</p>



ESSE 3 Via Garibaldi 30
14022 Castelnuovo D.B. (AT)
tel +39 011 99 27 706
fax +39 011 99 27 506
e-mail esse3@chierinet.it
web : www.4ci.com

