

ESM-1010

ELECTROMECHANICAL OPERATING TABLE



Series ESM-1010 versions : **ESM-1010- 5 / ESM-1010-6**

Created to satisfy surgical functionality and saving, the Electro Hydraulic Series ESM-1010 allows, with the own accessoristics, to satisfy every basic and specialistic surgical activity.

ESM-1010-5 : The table top is divided in 5 sections made of stainless steel and matting HPL which warrants the **radiotransparency**.

ESM-1010-6 : The table top is divided in 5 sections (including thorax opening) made of stainless steel and matting HPL which warrants the **radiotransparency**.

The **FRAME** of the table is realized using only stainless steel

The **BASE** : that warrants the perfect stability of the operating table is completely made in stainless steel and is available on four twin antistatic wheels provided with locking system and wheels position selector.

The **COLUMN**: is telescopic and squared, totally covered by stainless steel; its reduced size allows the best use of **C-arm**. Inside of the column there is the electronic card that controls all the electrohydraulic movements of the operating table.

ELECTRO-HYDRAULIC MOVEMENTS :

Up/Down ; Trendelenburg - Reverse trendelenburg ; Lateral Right and Left ; Zero table top position.

- Height adjustment min. 680 mm max. 1.040 mm
- Trendelenburg 30°
- Reverse trendelenburg 30°
- Lateral movement right and left 20°

MECHANICAL MOVEMENTS of the operating table:

- Head section inclination: +40° - 90°
- Back section inclination +90° - 30°
- Thorax opening 170 mm (only for **ESM-1010-6**)
- Longitudinal translation of table top of about 300 mm OPTIONAL NOT INCLUDED
- Reset (Automatic zero table top position)

TABLE TOP SIZE: approx. 2000 x 540 mm

PATIENT SURFACE approx. 2000 x 600 mm including rail sides encumbrance

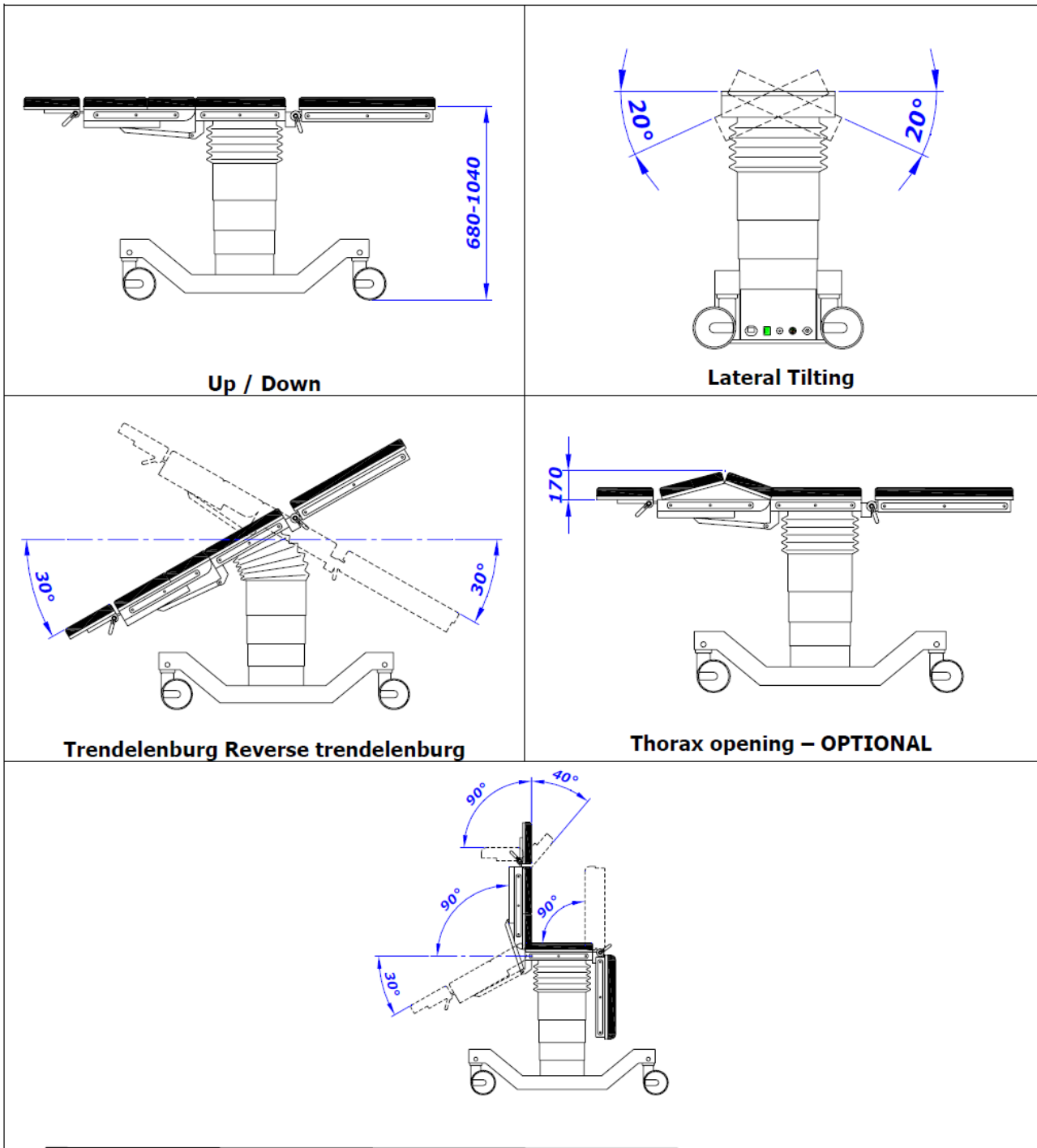
The **ACCESSORIES HOLDERS** (25 x 10 mm) are in stainless steel also, they cover all the table top length from both sides.

The **MATTRESSES** that cover the table top removable for cleaning, antidecubitus and antistatic, they are independently removable, x-rays traslucent and elastic.

The **TABLE TOP** is prearranged for the insertion of x-rays holder on all its length.

Table top composition:

- **HEAD SECTION**: extractible and inclinable (+ 40° - 90°) manual
- **BACK SECTION**: manual inclination (0° + 90° / 0° -30°).
It allows the users to obtain the back section "split" . Size: 500 x 510 mm
- **PELVIS SECTION**: Size 500 x 480 mm with perineal cut
- **LEG SECTION**: divided in two sections independent between them and able to make the following manual movements: Opening of the two sections (right /left) of 0° - 90°
Inclination: + 90° - 90° both parts are also easily independently extractables.
- For **ESM-1010-6** : **THORAX OPENING** – kidney bridge of 170 mm – manually



KEYPAD: It is provided with function touch-sensitive keys on which is drawn the moved section. The touch-sensitive key includes ON/OFF button and stand-by position.

RECHARGE SYSTEM for storage batteries: 2 batteries 12V 9,5 A/h, sealed, free from maintenance. The batteries charge level is visible in a display placed on the operating table base.

The batteries charger is electronic and provided with automatic stop at the end of charge.

It can make a **DOUBLE FUNCTION:** recharge the discharged batteries and feeder allowing the operating table to work even if the batteries are totally discharged; this function can be made simultaneously.

When the batteries are completely charged the autonomy of the operating tables is of 4 hours of continuous work that corresponds to about 5/6 days of normal operating activity.

The **OPERATING TABLE WEIGHT** is of about 230 Kilos.

The **OPERATING TABLE CAPACITY** is of about 250 Kilos.

The operating table is prearranged with X-rays tunnel for all the table top length without any obstacle from the head to the legs and provided with a useful radiotraslucent space of more than 420 mm of width.

**LONGITUDINAL TRANSLATION OF TABLE TOP OF ABOUT 300 MM THAT COMPLETELY REMOVE THE COLUMN ENCUMBRANCE FOR A MAXIMUM USE OF THE C-ARM
USEFUL WIDTH FOR THE USE OF THE C-ARM ON THE TABLE TOP : MORE THAN 420 MM**

OPTIONAL NOT INCLUDED:

- Divided in four sections (2 up /down right and 2 up/down left): independent between them and able to make the following manual **MOVEMENTS**:
- Opening of two sections (right-left), on gears, of 0° -90°
- Inclination of the two uppers section (right-left), on the same mechanism, of +90° -90°;
- Opportunity of extracting the upper section (right /left) in order to insert other orthopaedical accessories (for more information ask us technical details referring to item A78)
- **LONGITUDINAL TRANSLATION OF TABLE TOP**: mechanical movement of about 300 mm that allows the total elimination of column encumbrance.
- **The operating table can be used for orthopedic surgery because the column is prearranged for the insertion of traction group A52/A-B and BX-02**
 - Bars to be insert in a high position in the electromechanical operating table top
 - **Solid structure** in stainless steel
 - **Opportunity of reaching different positionments** for a good traction of upper and lower limbs
 - **Free use** of C Arc



BX-02 ORTHOPEDIC TROLLEY



A52/B ORTHOPEDIC TROLLEY

CATALOGUE/TECHNICAL DETAILS

- A509/A** Pair of traction bars with 4 joints
- A508** Pair of tractors devices for A52/A - A52/B - BX02
- A517/A - C** Central part for the insertion of pelvic support on electromechanical operating tables.
- A516** Pair of stainless vertical posts
- A01/E** n. 2 Pair of leg cradle and multiple traction support for the insertion of round bar on rail mm 40 x 40
- A503** Off-set counter extension bar with cushion for the insertion on A500 + A501/C
- A501/C** Shaped cushion for pelvic support A500
- A500** Standard radiotranslucent pelvic support with universal bar mm 400 x 240
- A93/A** Multiple orthopaedic support for traction composed of A82/A + A83
- A94** Single leg cradle in stainless steel to insert into A52/A
- A517/B** Frame for traction bar A52/A and A52/B and insertion of A517/A - C
- A518** Universal bar for the insertion of the orthopaedic boots on tractor devices
- A517/D** Key to lock the traction bars



ESSE 3 Via Garibaldi 30
14022Castelnuovo D.B. (AT)
tel +39 011 99 27 706
fax +39 011 99 27 506
e-mail esse3@chierinet.it
web : www.4ci.com



PLS NOTE: ESSE 3 is able to make some changements of the information of this catalogue in order to satisfy the particular needs of its customers.
The products are made according to the international safety rules and especially making reference to the 93/42/CEE related to the CE mark.