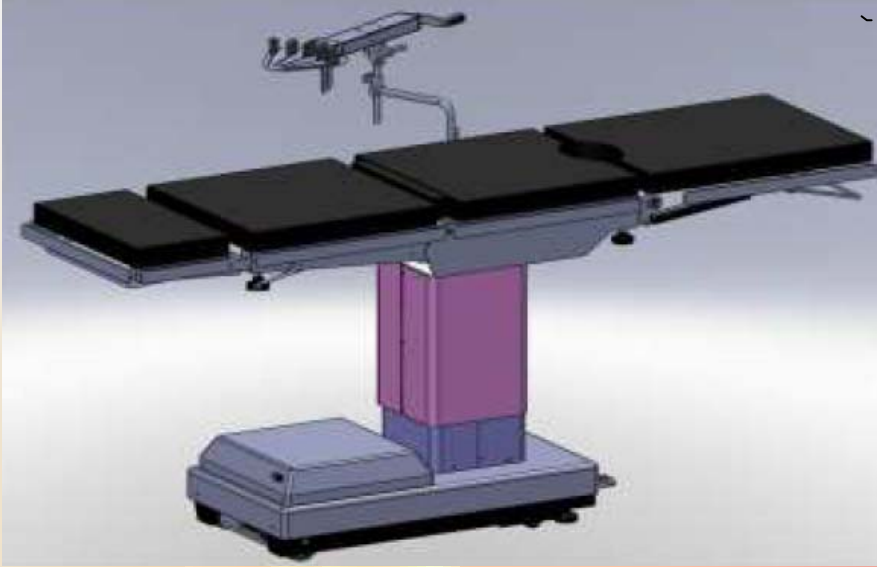




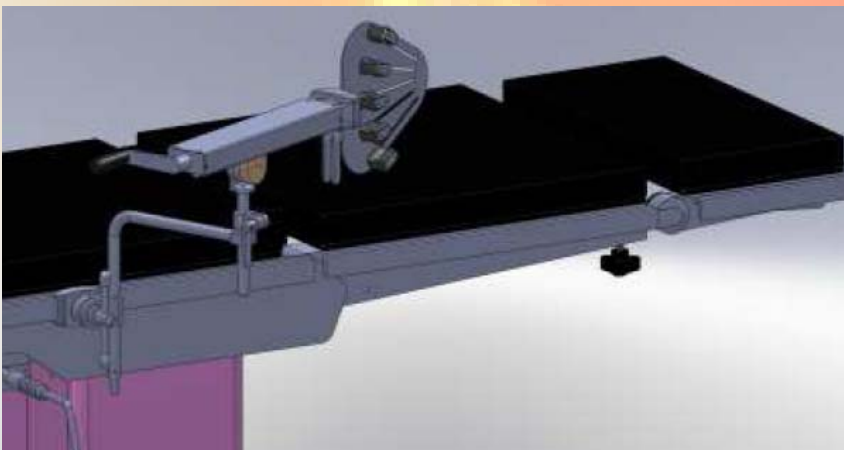
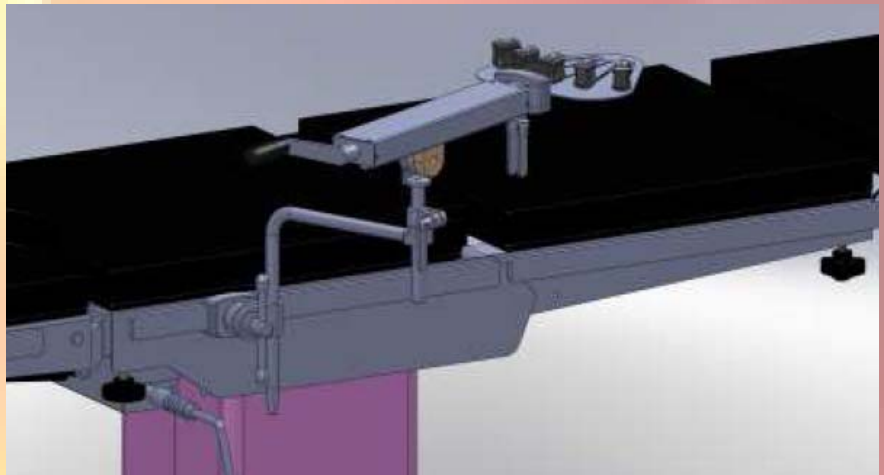
# EST-170 ARM EXTENSION DEVICE



ARM EXTENSION DEVICE

INCLUDING

- MULTI-DIRECTIONAL CLAMP
- TRACTION DEVICE
- WEINBERGER HAND TRACTION DEVICE



ESSE 3 Via Garibaldi 30  
14022Castelnuovo D.B. (AT)  
tel +39 011 99 27 706  
fax +39 011 99 27 506  
e-mail [esse3@chierinet.it](mailto:esse3@chierinet.it)  
web : [www.esse3-medical.com](http://www.esse3-medical.com)

