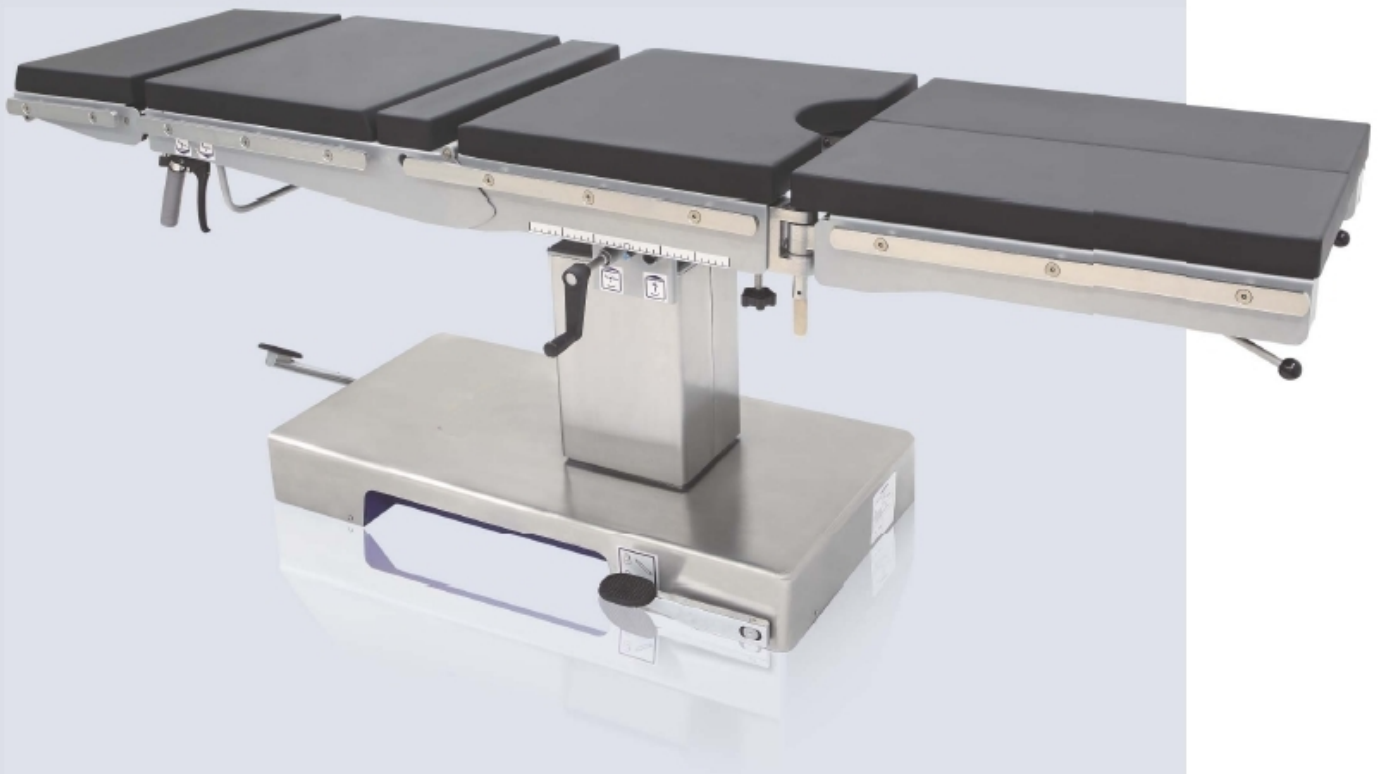




NEW PRODUCT

Safety Quality Value Innovation



EST-750
Manual Operating Table

- Main structure of operating table is made of high-grade steel
- Base, column casing, accessories rails, and metal accessories are made of high quality stainless steel
- Stable structure, nice shape, easy to clean

①

- Functional displays below are controlled by import cylinder: head plate up and down, table trendelenburg and reverse trendelenburg, back plate up and down
- Easy to operate, accurately and stably positioning
- Operation focuses on head without affecting surgery



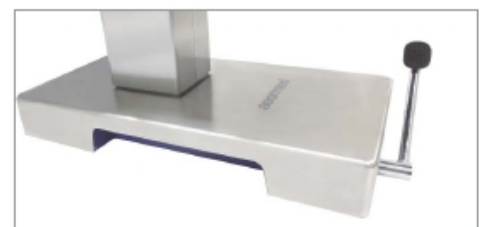
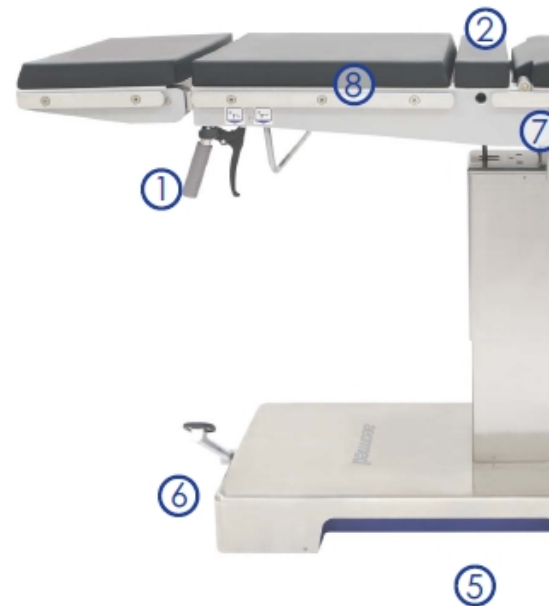
⑧

- Mattress made by high density PU foam is waterproof
- High elasticity and comfort
- Removable design, nice shape, easy to clean, excellent perspective of X-ray



⑦

Built-in X-ray film rail layer meets shoot request for different body parts during surgery



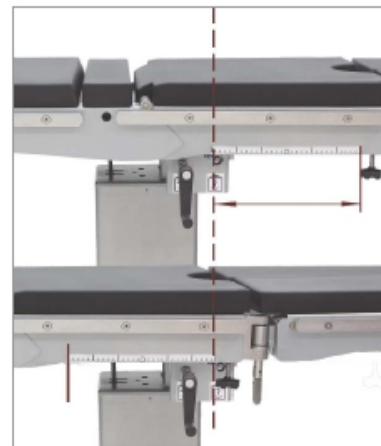
⑥

- Operating table up and down controlled by foot-lift pump, an integration structure of oil pump, fuel tank and crank
- The integrate pump provides high stability of table during up and down operation and excellent carrying capacity
- Easy to operate, time-saving design



②

- Built-in kidney-bridge can be elevated within 110mm
- Provides displays requested by kidney and gallbladder surgery



③

Optional table longitudinal shift (up to 300mm) offers big enough space for X-ray work

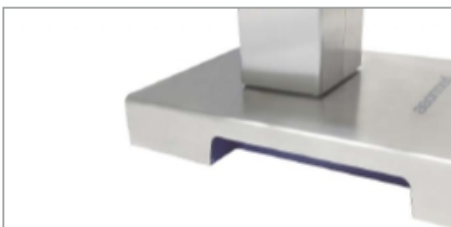


④



④

Operating table is easy to fix and shift with simple and efficient base-lock system

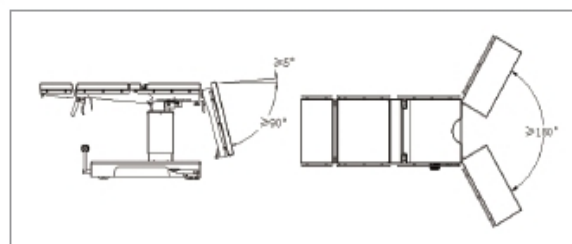
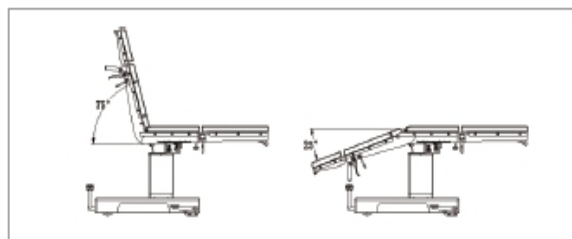
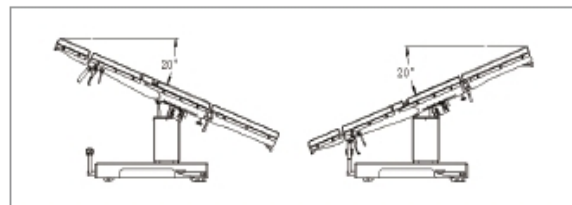
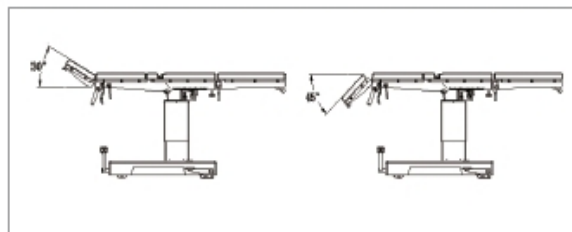
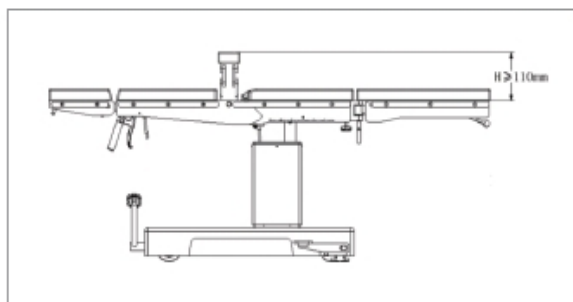
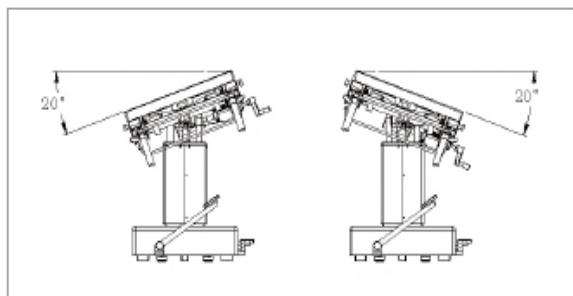
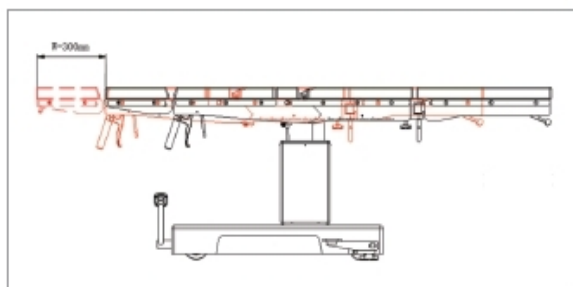
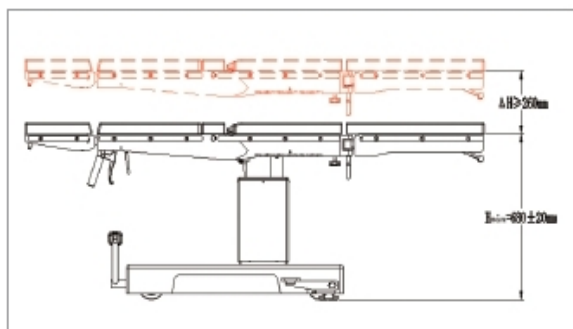


⑤

Reserved enough space for feet in base design meets close working on operating table while ensuring stability

Broad range of position adjustment is suitable for more requirements by surgery department

EST-750 manual operating table fully meets requirements from different surgery departments. It provides various positions through simple and accurate operation while ensuring patients' safety and comfort. Cost-effective EST-750 with versatility is the ideal choice for modern operation room.



Technical Specifications:

- Table length: 2020mm
- Table Width (without side rails): 520mm
- Table Height (without mattress): 680mm-940mm
- Trendelenburg/Reverse: 20°/20°
- Lateral Tilt (left/right): 20°/20°
- Back Plate Up/Down: 75°/25°
- Head Plate Up/Down: 30°/45° (removable)
- Leg Plate Up/Down: 5°/90°
- Leg Plate Split: 180° (removable)
- Kidney-bridge Elevator UP: 110mm
- Longitudinal Shift (optional): 300mm
- Weight Capacity: 297 kg



ESSE 3 Via Garibaldi 30
14022Castelnuovo D.B. (AT)
tel +39 011 99 27 706
fax +39 011 99 27 506
e-mail esse3@chierinet.it
web : www.esse3-medical.com

