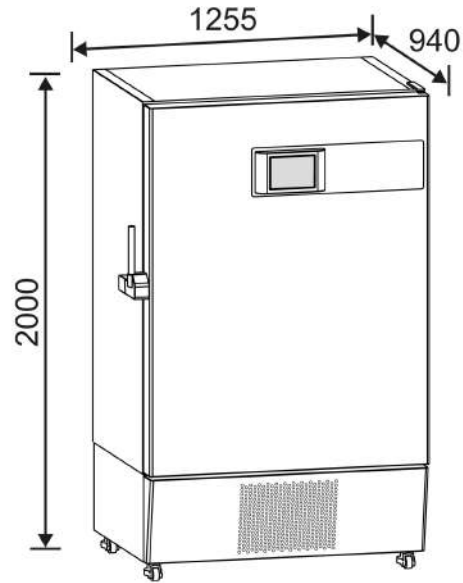




ULF 725 PRO ULTRA FREEZERS



Color:White
Panel:ADVANCED

- Touch control panel with 7" display and password
- Data download to USB
- Backup battery for managing alarms in case of power failure
- Audible and visual alarms
- Wi-Fi connection (available starting from July 2024)

TECHNICAL FEATURES

Temperature	-50°C / -86°C
Refrigeration Type	Static
Defrost Type	Manual
Refrigerant Gas	R290 + R170
Climatic Class	+16°C / +28°C
Gross Capacity (liters)	765
Net Capacity (liters)	726
External Dimensions (W x D x H mm)	1255 x 940 x 2000

ELECTRICAL DATA

Power Supply (V/ph/Hz)	220-230/1/50
------------------------	--------------



ULF 725 PRO ULTRA FREEZERS

ELECTRICAL DATA

Power Plug	Type F
------------	--------

STRUCTURAL FEATURES

Structure	Upright
Insulation Thickness (mm)	130
Insulated Door	Yes
Heated Door Seal	Yes
Compensation Valve	Yes
Shelves Number	3
Maximum Shelf Quantity	-

CONTROL PANEL

Display Type	Touch 7"
Languages	ITA - ENG - FRA
Access Password	Yes
3-Level Access Password	Yes
Temperature Graph	Visible on display
Probe Type	Nr. 3 PT1000
Alarm Signaling	Acoustic and visual
Alarm Indications	Text form / codes
Adjustable High/Low Temperature Alarm	Yes
Adjustable Door Open Alarm	Yes
Power Loss Alarm	Yes
Probe Fault Alarm	Yes
Low Battery Alarm	Yes
Dirty Condenser Alarm	Yes
Evaporator Freezing Alarm	Yes



ULF 725 PRO ULTRA FREEZERS

CONTROL PANEL

Acoustic Alarm Silencing Options	Yes
Acoustic Alarm Reactivation	Yes
Alarm Functionality Test	Yes
Calibration	Yes
Alarm Memory	Yes
Door Openings Memory	Yes
Defrost Memory	Yes
Event Memory	Yes
Daily Min/Max Temperature Memory	Yes
Data Logger Function with USB Port	Yes
USB Port	Type B
Data and Event Storage	Yes (on internal memory)
Dry Contact	Yes
Wi-Fi Connectivity	No
Monitoring App	Yes
Backup Battery for Display and Alarms	Yes
Backup Battery Autonomy for Display and Alarms (hours)	48

ACCESSORIES

Storage rack for boxes
Box for storage rack
CO2 back-up system
Electronic door lock (available for ADVANCED control panel only)
Temperature chart recorder
Cryo gloves
GSM/GPRS telephone dialer
Voltage 230V/1ph/60Hz



ULF 725 PRO ULTRA FREEZERS

ACCESSORIES

Voltage 115V/1ph/60Hz

Plug type A

Plug type B

Plug type G

Plug type I

Wooden crate packing

IQ Documentation

OQ Documentation